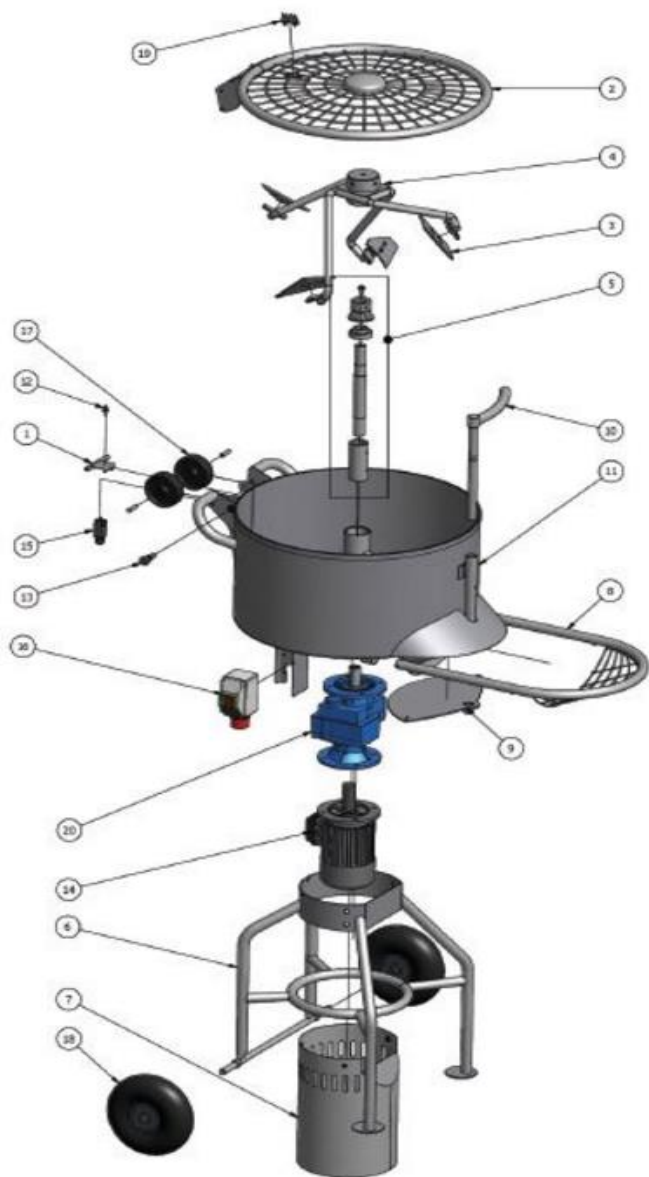


SPARE PARTS



Position	Part Number	Description
1	M110.060.000	Plate for cover switch
2	M200.525.000	Cover, Ø808mm
3	M.200.470.000	Metal shovels complete set (4pcs.)
4	M200.450.000	Mixer head (without shovels)
5	M.200.424.025	Complete Drive Shaft with Bearing
6	M200.350.000	Frame
7	M200.325.000	Engine cover
8	M200.150.000	Outlet protection
9	M200.125.000	Trapdoor
10	M200.100.000	Trapdoor handle
11	M200.050.001	Container H.400xW.784mm
12	B.000.070.010	Rubber damper
13	B.000.060.010	Positioning bolt
14	B.000.042.400	Motor, 2,2kW. 3x400V
15	B.000.030.010	Mechanical cover switch
16	B.000.020.030	Main switch, 400V
17	B.000.010.020	Transport wheel + bushing (1 pc.)
18	B.000.010.010	Rubber wheel (1 pc.)
19	E.090.525.021	Sack knife complete
20	B.000.052.100	Gear for E200/M200